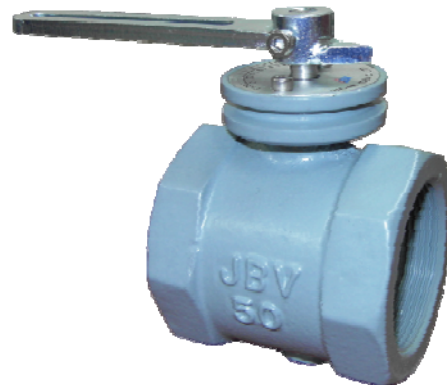




CONTROL BUTTERFLY VALVE

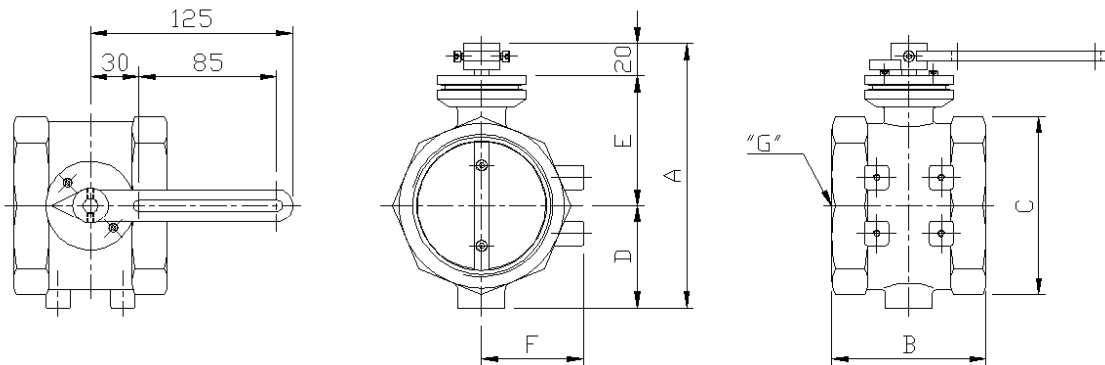
JBVC



FEATURES

- Control butterfly valve (JBVC)

JINSUNG Valves control the flow of low pressure combustion air or fuel gas to burner systems. Two versions of the valve are available. The BVC series is available for ambient air service and most fuel gases, such as, natural gas, propane and butane. Each valve is available in a manual operation version or an automatic version. JBVC valves are ideal for individual burner or zone control and can be used as a trim valve or to balance individual burners. Eight threaded sizes air available.



■ DIMENSION

	A	B	C	D	E	F	G
20A	99	75	48	30	49	30	PT20A
25A	99	75	48	30	49	30	PT25A
32A	114	80	64	37	57	37	PT32A
40A	114	80	64	37	57	37	PT40A
50A	126	85	78	44	70	44	PT50A
80A	156	95	110	59	77	61	PT80A

·The descriptions and specifications are subject to change without notice.

JSE JINSUNG ENERGY TECH.CO., LTD.

3Dong 6BL/33LT Banwol Industrial Complex,404-5, Mongnae-dong Danwon-gu, Ansan-si,Gyeonggi-do
425-100 Korea Ph.: +82.31.319.7697 / Fax: +82.31.498.7697 E-mail: jinsungenergy@gmail.com