



BUTTERFLY VALVE

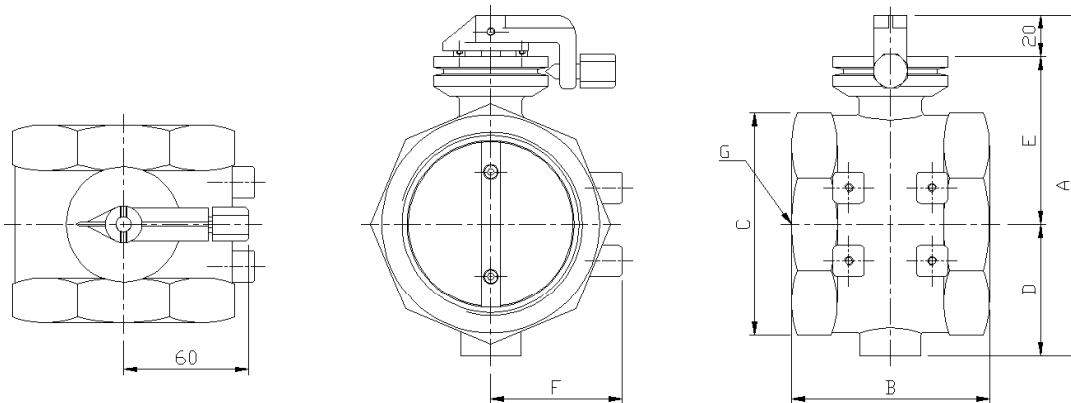
JBVM



FEATURES

● Manual butterfly valve (JBVM)

1. Manual butterfly valve with the opening degree indication for adjusting the flow rate.
2. Handle is fixed with the lock screw after setting the opening degree.
3. Handle is made of iron steel, which is strong.
4. Manual butterfly valve has full port design which realizes little pressure loss.
5. Main body is designed to use a pipe wrench easily.



■ DIMENSION

	A	B	C	D	E	F	G
20A	99	75	48	30	49	30	PT20A
25A	99	75	48	30	49	30	PT25A
32A	114	80	64	37	57	37	PT32A
40A	114	80	64	37	57	37	PT40A
50A	126	85	78	44	70	44	PT50A
80A	156	95	110	59	77	61	PT80A
100A	185	120	132	73	92	73	PT100A

·The descriptions and specifications are subject to change without notice.