

FLAME JET GAS BURNER

JHGT-050 **JHGT-070**
JHGT-100 **JHGT-120**
JHGT-125 **JHGT-130**
JHGT-140



GENERAL INFORMATIONS

The "JHGT" gas burner series is a blown-air burner which can operate with natural gas, LPG, lean gas and gas with low calorific power (on request). It was designed for the installation in all the process in which it is necessary to obtain a deeply oxidizing combustion to limit working temperature.

The completely automatic working allows on-off regulations, high/low flame, air/gas modulating. The maximum thermal potentiality is 679kW (600,000kcal/h) while the minimum potentiality can come up to 5.8kW(5,000kcal/h).

Combustion air temperature required for this burner can change from room temperature until 300°C

A particular care has been dedicated to CO and NOx emissions produced by combustion process, Burner structure is painting casting, the body is of iron, the bottom of aluminum, the parts in contact with flame of refractory steel and Nickel Chrome alloys

FEATURES

- Direct spark ignition, ionization flame detection electrode or U.V cell.
- For natural gas or LPG, other gaseous fuel on request.
- Max.-min. ratio 15:1
- Available as complete version with gas ramp, according to EN 676 on right or left hand.
- Easy to install, to start, to operate.

APPLICATIONS

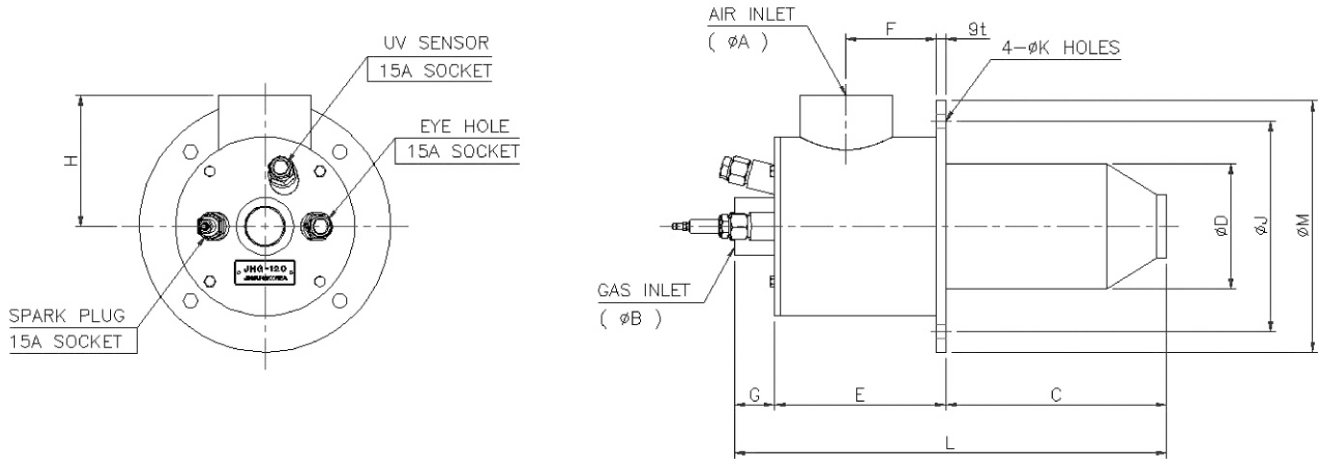
- All types of kilns, suitable for oxidative, stoichiometric or reducing combustion.
- Ceramic, Bricks, Refractory :
 - Roller kilns, Tunnel kilns, Intermittent kilns, Melting kilns.
 - Continuous and Intermittent Dryers.
- Iron metallurgic Industry.
- Surfaces Treatment.
- Glass : Hardening ovens.
- Printing and Packing : Air Heaters for Rotogravures, Flexographic and Coupling and adhesive coating Machines.
- Food : Cereal Dryers, Roasters.
- Drying Tobacco etc.
- And furthermore, for any application which requires a wide regulation automatic gas burner, capable of operating in a strong vacuum or with strong counter-pressure.



JINSUNG ENERGY TECH.CO., LTD.

3Dong 6BL/33LT Banwol Industrial Complex,404-5, Mongnae-dong Danwon-gu, Ansan-si,Gyeonggi-do 425-100 Korea
Ph.: +82.31.319.7697 / Fax: +82.31.498.7697 E-mail: jinsungenergy@gmail.com

DIEMENSION



MODEL	A(AIR)	B(GAS)	C	ØD	E	F	G	H	J(PCD)	K	ØM	L
JHG-050	25A	20A	170	75	90	50	30	100	160	4-Ø0	200	290
JHG-070	32A	25A	190	98	130	60	30	100	190	4-Ø10	220	350
JHG-100	40A	25A	190	98	130	60	30	100	190	4-Ø10	220	350
JHG-120	50A	32A	220	125	170	90	35	130	210	4-Ø12	250	425
JHG-130	80A	40A	230	160	180	90	40	150	270	4-Ø14	310	450
JHG-140	100A	50A	330	195	250	130	40	210	320	4-Ø14	360	620
JHG-150	150A	65A	330	224	320	160	40	240	380	8-Ø16	420	690
JHG-200	200A	80A	390	258	380	210	40	260	420	8-Ø18	470	810

TECHNICAL DATA

CAPACITIES & SPECIFICATIONS							
Model	BURNER NOMINAL CAPA'		AIR PRESSURE @15°C (mb)*	AIR VOLUME @15°C Nm ³ /hr	GAS PRESSURE (mb)*	BURNER MAXMUM CAPA'	
	×10 ³ Kcal/hr	Kw				×10 ³ Kcal/hr	Kw
JHG-050	30	34	65	65	30	50	58
JHG-070	50	58	65	91	30	70	81
JHG-100	80	93	65	156	30	120	139
JHG-120	150	174	65	260	30	200	232
JHG-130	300	348	65	507	30	400	465
JHG-140	500	581	65	806	35	600	697
JHG-150	1000	1162	65	1755	35	1300	1511
JHG-200	2000	2300	65	3015	35	2300	2675

The above mentioned performance data are described at their maximum power. Pressure showed are guidelines only. Gas pressures are refer to Methane gas.

* Stoichiometric conditions

Performance data and dimensions are guidelines only.



JINSUNG ENERGY TECH.CO., LTD.

3Dong 6BL/33LT Banwol Industrial Complex,404-5, Mongnae-dong Danwon-gu, Ansan-si,Gyeonggi-do 425-100 Korea
Ph.: +82.31.319.7697 / Fax: +82.31.498.7697 E-mail: jinsungenergy@gmail.com