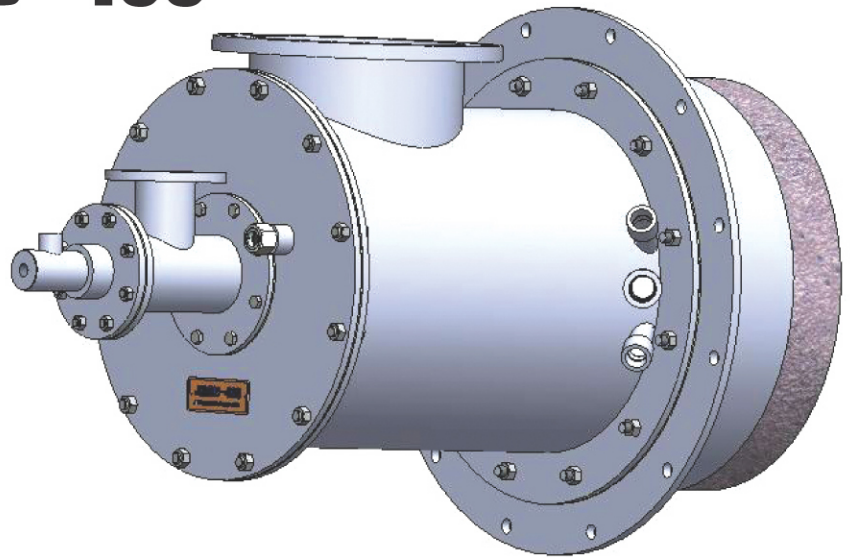


## HIGH MOMENTUM OIL BURNER

**JHOB - 100**   **JHOB - 200**  
**JHOB - 300**   **JHOB - 400**  
**JHOB - 500**



### FEATURES

- Choice of a low velocity or medium velocity burner
- Long lifetime with Refractory (castable) on working temp up to 1,500°C
- Available for Preheated Air operation up to 450°C
- For Kerosine, Diesel Oil, B-C Oil and Refined Oil
- Suitable for all kind of oil LHV over 4,000Kcal / Kg
- Fuel Capacity based on 400,000 ~ 5,300,000Kcal/hr oil and 20% excess air
- Available automatic gas Pilot burner or manual ignition

### APPLICATIONS

Heat treatment

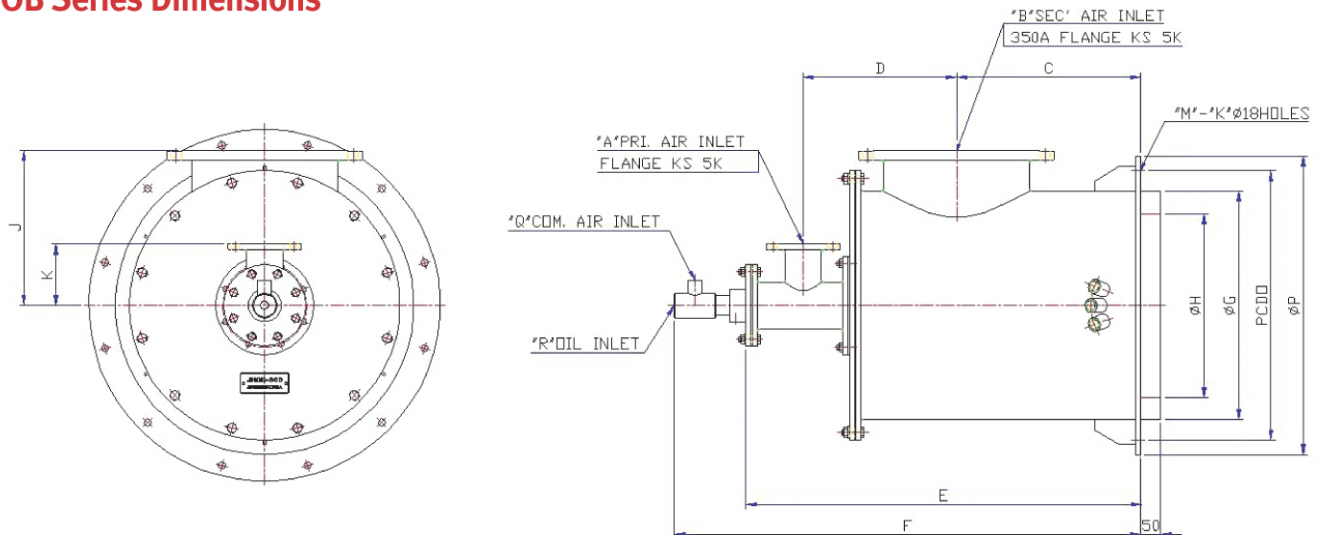
- Heating up
- Al-melting
- Glass melter
- Rotary calciner
- Steel reheat furnace
- Rotary dryer.



**JINSUNG ENERGY TECH.CO., LTD.**

3Dong 6BL/33LT Banwol Industrial Complex, 404-5, Mongnae-dong Danwon-gu, Ansan-si, Gyeonggi-do 425-100 Korea  
Ph.: +82.31.319.7697 / Fax: +82.31.498.7697 E-mail: jinsungenergy@gmail.com

## JHOB Series Dimensions



JHOB BURNER DIMENSIONS

MODEL NO	A	B	C	D	E	F	G	H	J	K	L	M	K'	N	O	P	Q	R
JHOB - 100	65A	150A	320	300	750	890	406	250	300	150	32A	8	18	25A	510	560	15A	15A
JHOB - 200	80A	200A	320	300	750	890	406	250	300	150	32A	8	18	25A	510	560	15A	15A
JHOB - 300	80A	250A	350	325	815	955	457	350	320	150	32A	8	18	25A	540	600	20A	15A
JHOB - 400	80A	300A	400	350	890	1030	508	400	350	150	32A	12	18	25A	590	660	20A	15A
JHOB - 500	80A	350A	450	375	950	1080	559	450	380	150	32A	12	18	25A	660	710	25A	20A

## JHOB Series Capacities Table

Model	Secondary Air		Primary Air		Atomizing Air		Total Air	Fuel Oil		Gas	Capacity	Flame	
	Pressure mmH <sub>2</sub> O	Flow Sm <sup>3</sup> /Hr	Pressure mmH <sub>2</sub> O	Flow Sm <sup>3</sup> /Hr	Pressure Kg/cm <sup>2</sup>	Flow Sm <sup>3</sup> /Hr	Flow Sm <sup>3</sup> /Hr	Pressure Kg/cm <sup>2</sup>	Flow Kg/Hr	Flow Sm <sup>3</sup> /Hr	20% Excess Air Kcal/Hr	Length	Dia
												mm	mm
JHOB-100	350	1,463	50	79	4.0	37	1,580	3.0	124.4	126	1,200,000	2,300	550
	200	1,087	50	79	4.0	28	1,194	3.0	94.0	95	907,000	2,000	400
	100	745	50	79	4.0	20	844	3.0	66.4	67	641,000	1,600	350
	25	334	50	79	4.0	10	423	3.0	33.3	34	321,000	1,100	300
JHOB-200	350	2,439	50	132	4.0	62	2,633	3.0	207.3	211	2,000,000	2,800	600
	200	1,797	50	132	4.0	62	1,991	3.0	156.7	159	1,512,000	2,400	450
	100	1,214	50	132	4.0	62	1,408	3.0	110.8	113	1,069,000	2,100	450
	25	510	50	132	4.0	62	704	3.0	55.4	56	535,000	1,300	450
JHOB-300	350	4,025	50	217	4.0	103	4,345	3.0	342.0	347	3,300,000	3,400	750
	200	2,964	50	217	4.0	103	3,284	3.0	258.5	263	2,495,000	2,800	600
	100	2,002	50	217	4.0	103	2,322	3.0	182.8	186	1,764,000	2,400	600
	25	842	50	217	4.0	103	1,162	3.0	91.4	93	882,000	1,900	500
JHOB-400	350	5,122	50	277	4.0	131	5,530	3.0	435.2	442	4,200,000	3,800	850
	200	3,773	50	277	4.0	131	4,181	3.0	329.0	334	3,175,000	3,600	800
	100	2,548	50	277	4.0	131	2,956	3.0	232.6	236	2,245,000	3,100	720
	25	1,071	50	277	4.0	131	1,479	3.0	116.4	118	1,123,000	2,100	610
JHOB-500	350	6,464	50	349	4.0	165	6,978	3.0	549.2	558	5,300,000	4,200	950
	200	4,761	50	349	4.0	165	5,275	3.0	415.1	422	4,006,000	3,800	800
	100	3,216	50	349	4.0	165	3,730	3.0	293.6	298	2,833,000	3,300	700
	25	1,351	50	349	4.0	165	1,865	3.0	146.7	149	1,416,000	2,100	700



**JINSUNG ENERGY TECH.CO., LTD.**

3Dong 6BL/33LT Banwol Industrial Complex, 404-5, Mongnae-dong Danwon-gu, Ansan-si, Gyeonggi-do 425-100 Korea  
 Ph.: +82.31.319.7697 / Fax: +82.31.498.7697 E-mail: jinsungenergy@gmail.com