



SINGLE END RADIANT TUBE BURNER

JSB-4S



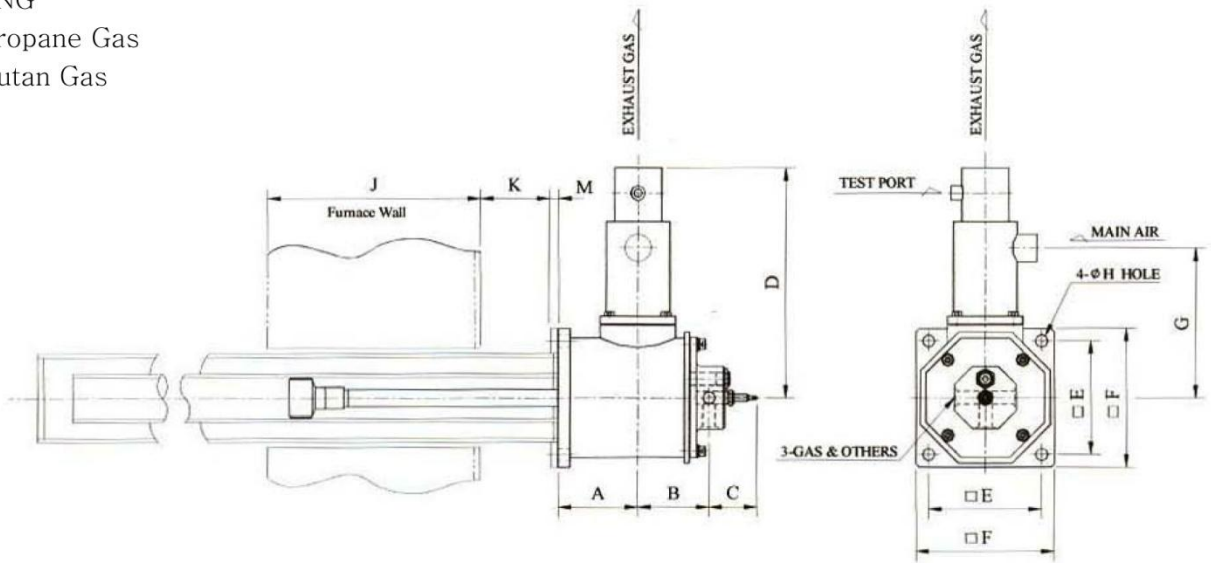
GENERAL INFORMATIONS

It is easy to install for this equipment this can be applied to more various purpose and has a merit of energy saving.

You can easily replace the burner and burner tube.

FUEL

- LPG
- LNG
- Propane Gas
- Butan Gas

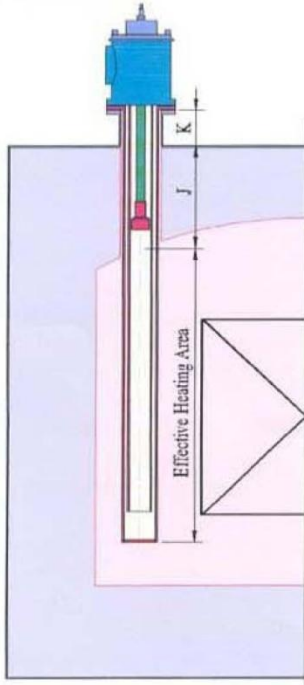


Dimension Unit : mm

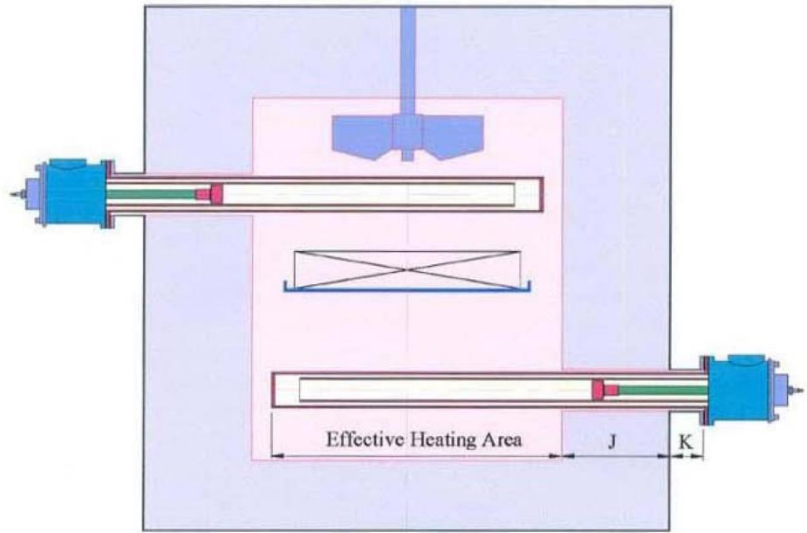
Type	Tube (A)	Max. Capacity Kcal/h (Kw)	Connection (A)				A	B	C	D	E	F	G	H	K	M
			Gas	Air	Exh.	Etc.										
JSB-4S	100A	Max.20,000(25)	15A	25A	50A	15A	126	114	77	361	180	220	235	19	110	15
	125A	Max.25,000(30)														

- Standard Supply Pressure : Gas 500~700mmH₂O (5~7KPa)
Air 700~800mmH₂O (7~8KPa)
- Ignition Method : Direct Ignition by ignition Plug

APPLICATION

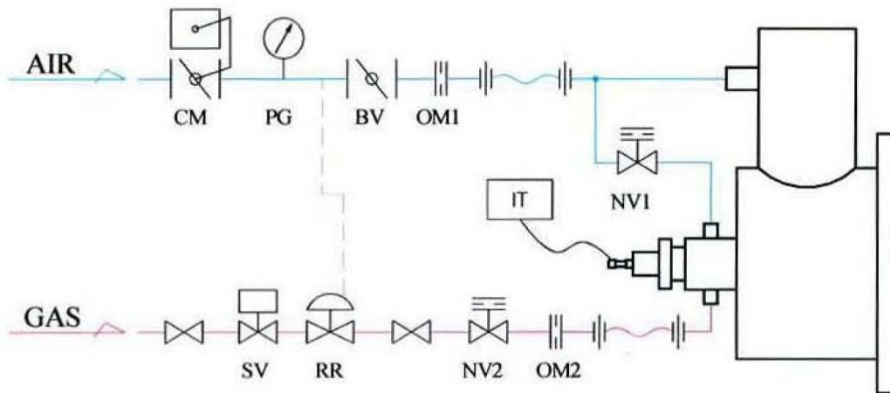


Batch Carburizing Furnace



Mesh Belt Furnace

FLOW DIAGRAM



Air Line

- CM Control Motor w/Valve
- PG Pressure Gauge
- BV Butterfly Valve
- OM1 Orifice Meter
- NV1 Needle Valve

Gas Line

- SV Solenoid Valve
- RR Ratio Regulator
- NV1 Needle Valve
- NV2 Needle Valve
- OM2 Orifice Meter
- IT Ignition Transformer

·The descriptions and specifications are subeject to change without notice.