



ORIFICE METER

JSOM



• FEATURES

JINSUNG orifice meters are a simple, economical method of measuring air and gas flow on industrial combustion applications. The JSOM assemblies are available in threaded and are suitable for gas or air service in 1/2" to 4" NPT.

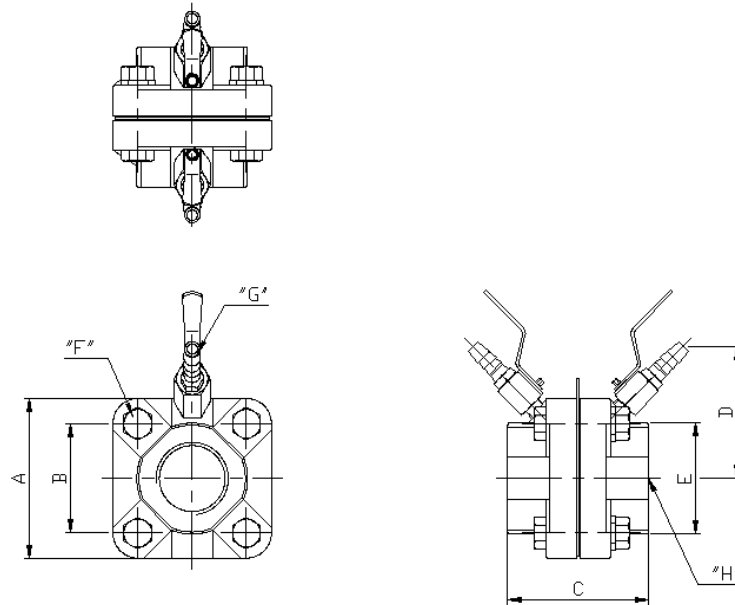
The JSOM series allows simple measurement of air and gas flow in industrial combustion systems. The JSOM is designed for use in the most demanding and harsh installations. A wide selection of connection options and an extensive variety of orifice bore sizes make the JSOM ideal for individual burner metering and total system metering. For example, on large multi-burner installations, a JSOM can be installed at each burner's air and gas connection and in the main air header or gas manifold for the furnace.

The heavy-duty construction of the JSOM series allows pressure up to 21 psig for the 1/2" to 4" size. All JSOM components are suitable for temperatures up to 250 °F. Higher temperature materials are available upon request. Consult factory for higher pressure applications.

JSOM assemblies not only provide accurate flow measurement, but also offer the convenience of serving as an auxiliary union connection in the piping. A JSOM may be installed in any position provided the location chosen ensures easy access to both pressure cocks and sufficient clearance exists to remove the orifice plate. For maximum accuracy, use at least 6 pipe diameters upstream and 4 pipe diameters downstream of the JSOM.

The JSE Orifice Calculator will calculate the flow of a given gas (Natural Gas, Propane, Butane, coke Oven Gas or Air) under Varying conditions. To properly select an orifice plate, the following information is needed : Gas temperature, upstream pressure, gas type, and pipe size. The Orifice calculator determines gas flow at a given differential pressure across the orifice plate.

- THREADED DESIGN
- HEAVY DUTY CONSTRUCTION
- HIGHLY ACCURATE RESULTS
- ECONOMICAL FLOW METERING
- EASY TO USE



■ DIMENSION

MODEL NO	A	B	C	D	E	F	G	H
JSOM-15A	66	50	70	56	44	M8-35*4	PT-6A	PT-15A
JSOM-20A	66	50	70	56	44	M8-35*4	PT-6A	PT-20A
JSOM-25A	66	50	70	56	44	M8-35*4	PT-6A	PT-25A
JSOM-40A	84	62	75	64	53	M10-45*4	PT-6A	PT-40A
JSOM-50A	98	74	80	72	60	M12-50*4	PT-6A	PT-50A
JSOM-65A	180	145	106	100	100	M16-65*8	PT-6A	PT-65A
JSOM-80A	180	145	106	100	100	M16-65*8	PT-6A	PT-80A
JSOM-100A	200	170	126	110	110	M16-75*8	PT-6A	PT-100A

·The descriptions and specifications are subeject to change without notice.

JSE JINSUNG ENERGY TECH.CO., LTD.

3Dong 6BL/33LT Barwol Industrial Complex,404-5, Mongnae-dong Danwon-gu, Ansan-si,Gyeonggi-do
425-100 Korea Ph.: +82.31.319.7697 / Fax: +82.31.498.7697 E-mail: jinsungenergy@gmail.com