

## REGENERATIVE BURNERS

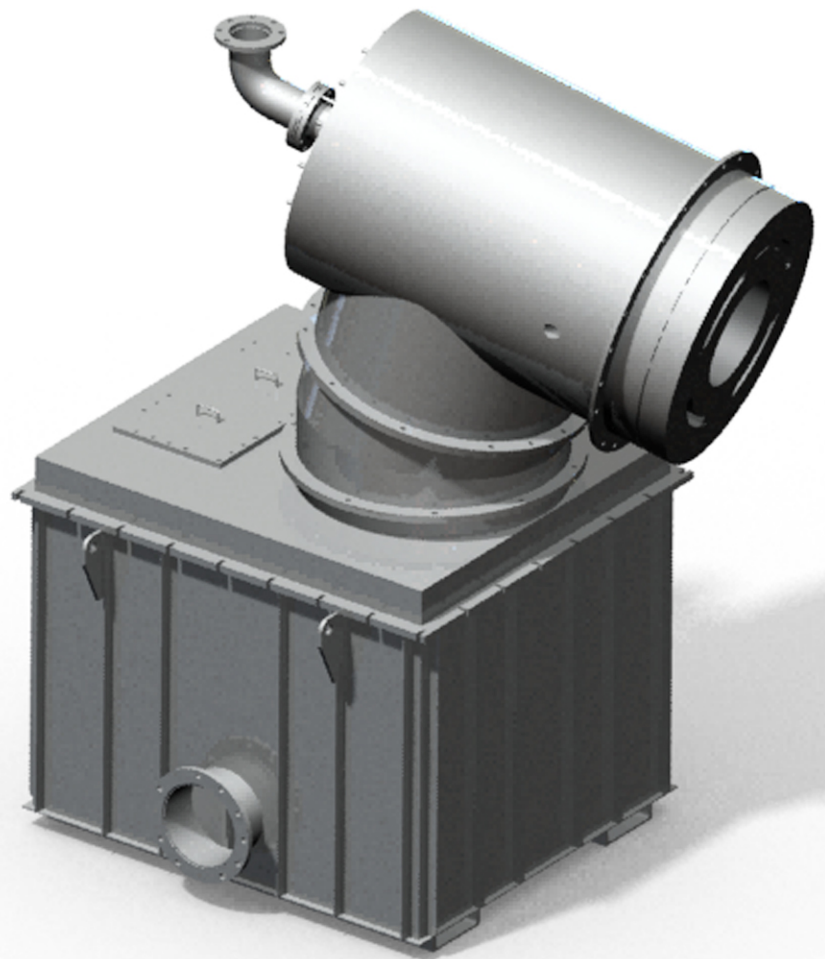
**JSR-500 JSR-1000**  
**JSR-2000 JSR-3000**  
**JSR-4000 JSR-5000**  
**JSR-6000 JSR-7000**

### FEATURES

- Low NOx-typically 250mg/Nm<sup>3</sup> (125ppm)
- Exceptionally high heat recovery
- Application temperatures to 1500°C
- Advanced, unique design giving simple Construction
- 85% Energy Recovery

### APPLICATIONS

- Aluminum Quick Melting Applications
- Aluminum Heat Treatment Furnaces
- High Temperature Industrial Furnaces
- Heating-Up Furnaces
- Reheating Furnaces
- Heating-Up Furnaces For Hot-Forging



**JINSUNG ENERGY TECH.CO., LTD.**

3Dong 6BL/33LT Banwol Industrial Complex,404-5, Mongnae-dong Danwon-gu, Ansan-si,Gyeonggi-do 425-100 Korea  
Ph.: +82.31.319.7697 / Fax: +82.31.498.7697 E-mail: jinsungenergy@gmail.com

# REGENERATIVE

## J.S.R. SERIES REGENERATIVE BURNERS DIRECT FIRED VERSION

The data contained below is a summary. Curves showing total burner pressure drop v. process temperature are included in this data sheet, however, please refer to JSE for additional data.

### CAPACITIES AND SPECIFICATIONS

Burner Model No	Standard Rating × 10 <sup>3</sup> kcal/h	Air Pressure 15°C (mb)*	Gas Pressure		Max Rating × 10 <sup>3</sup> kcal/h
			Tube	Tube+Nozzle (mb)*	
JSR- 500	500	45.0		10 – 45	500
JSR-1000	1000	45.0		10 – 45	1000
JSR-2000	2000	45.0		10 – 45	2000
JSR-3000	3000	45.0		10 – 45	3000
JSR-4000	4000	45.0		10 – 45	4000
JSR-5000	5000	45.0		10 – 45	5000
JSR-6000	6000	45.0		10 – 45	6000
JSR-7000	7000	45.0		10 – 45	7000

- Minimum supply pressure required measured at the burner under the temperature conditions Quoted. Air pressure will vary with degree of heat recovery and pre-heat temperature. See pressure drop curves further on in this data sheet. Some increase in gas pressure should be allowed for on the nozzle version of up to 50%.

Burner Model No	Total Burner Weight (kg)	Approximate Flame Length*	
		(m) Air 15°C	(m) Air 1000°C
JSR- 500	600	2.00	1.3
JSR-1000	1000	2.50	1.7
JSR-2000	1250	3.00	2.5
JSR-3000	1550	3.50	3.0
JSR-4000	2100	4.50	4.1
JSR-5000	2700	4.90	4.4
JSR-6000	3300	5.30	5.0
JSR-7000	3900	5.90	5.4

- Flame lengths are based on open tube gas injector for the JSR 500-2000 and the disc lance-disc setting maximum-for the JSR 3000-7000.
- The data above is based on Natural Gas Nett. CV 9500 kcal/Nm<sup>3</sup>
- The descriptions and specifications are subject to change without notice.



**JINSUNG ENERGY TECH.CO., LTD.**

3Dong 6BL/33LT Banwol Industrial Complex,404-5, Mongnae-dong Danwon-gu, Ansan-si,Gyeonggi-do 425-100 Korea  
Ph.: +82.31.319.7697 / Fax: +82.31.498.7697 E-mail: jinsungenergy@gmail.com